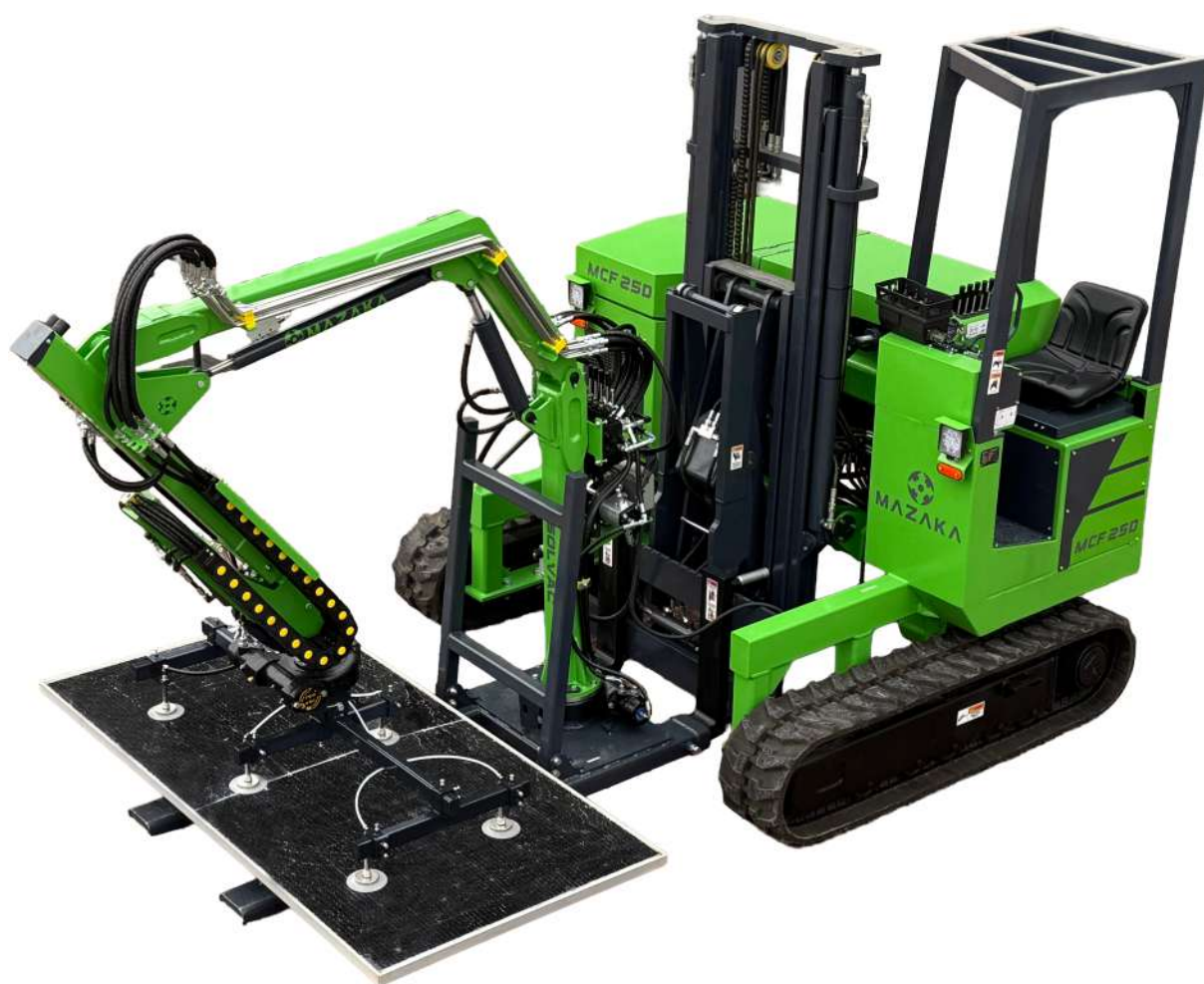




MAZAKA
HEAVY INDUSTRY

CRAWLER FORKLIFT
SOLAR VACUUM



MAZAKA
GROUP

CRAWLER FORKLIFT MCF250



TECHNICAL FEATURES

Engine	Yanmar / 35.5 kW
Load Capacity	2500 kg
Lift Height	3100 mm
Fuel Type	Diesel
Hydraulic tank capacity	50 L
Diesel tank capacity	50 L
Low / High Speed	2,2 / 4 km/h
Gradeability	15%
Service Brake	Hydraulic
Load centre of gravity	600 mm
Transmission type	Hydrostatic
Crawler Type	Rubber
Weight	3350 kg

VACUUM ATTACHMENT SOLVAC

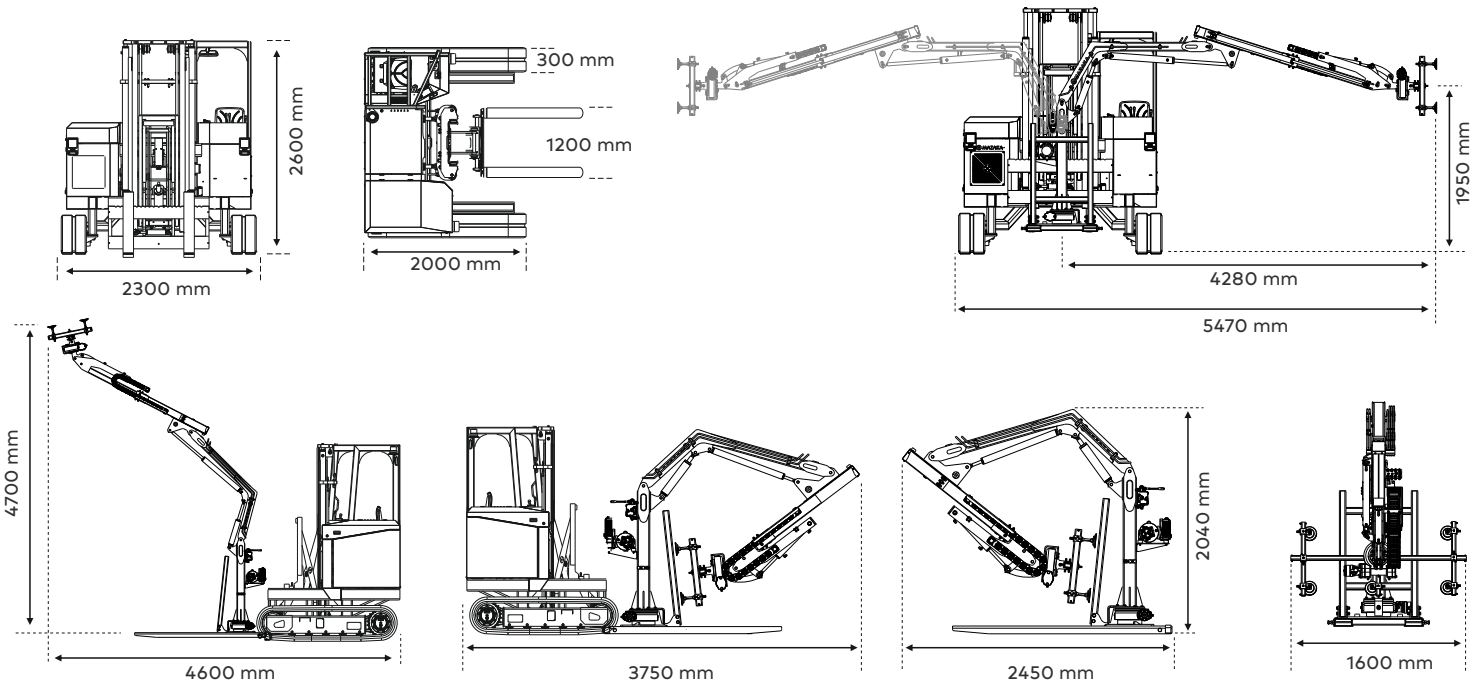


TECHNICAL FEATURES

Vacuum Pump	Hydraulic
Vacuum Capacity	120 kg
Working Range	-0,6 / -0,8 bar
Panel Release Time	2,5 sec
Vacuuming Time	2,5 sec
Control	Remote Control
Rotational Motion	90°
Weight	650 kg

APPLICATION

Forklift, Telehandler, Skid Steel, Backhoe Loader,
Excavator, Truck



Mazaka Factory

📍 Mimarşinan OSB Mah. 7. Cadde No:24
Melikgazi/Kayseri/TÜRKİYE
☎ +90 352 311 44 18 📠 +90 533 204 41 70
✉ info@mazaka.eu

Mazaka USA LLC

📍 2611 Andjon Drive
Dallas, TX 75220
☎ +1 203 904 8074
✉ america@mazaka.eu

Mazaka Europe Office

📍 Industriestrasse 12-16, 42929
Wermelskirchen Germany
☎ +90 553 468 13 24
✉ europe@mazaka.eu

