



MAZAKA
HEAVY INDUSTRY

SOLAR PANEL MOUNTING
SOLAR LIFT C50D



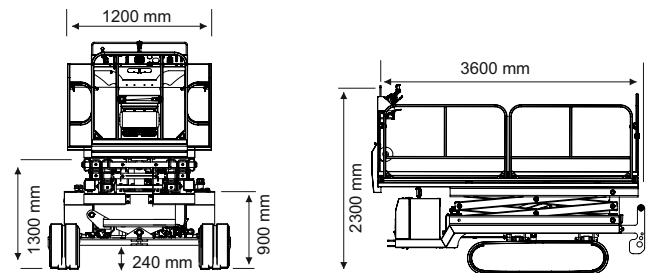
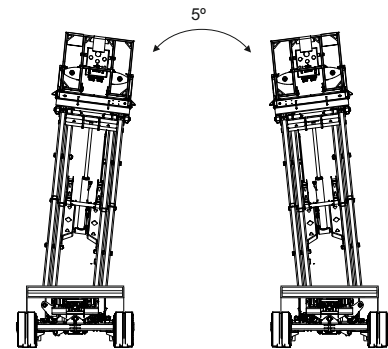
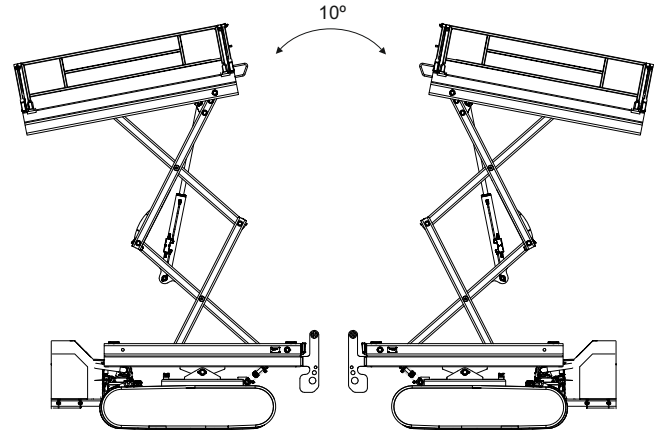
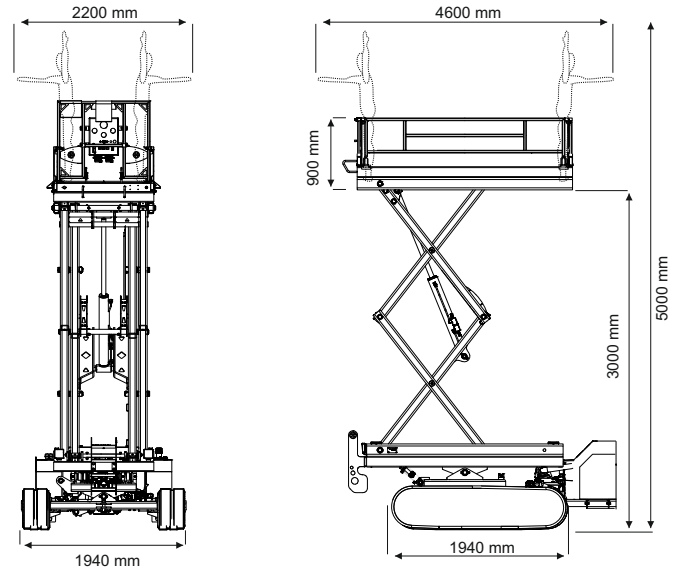
WE ARE AWARE...



MAZAKA
GROUP

TECHNICAL SPECIFICATIONS

TECHNICAL SPECIFICATIONS	SOLAR LIFT CS00
Platform capacity	1200 kg.
Platform Dimensions Width/Length	1200 x 3600 mm
Maximum personnel working height	5000 mm
Maximum platform height	3000 mm
Maximum height for travel	2500 mm
Engine	18.5 kW
Fuel Type	Diesel
Fuel Tank	80 lt.
Oil Tank	50 lt.
Rubber Pallet	Standart
Basket leveling	Operatör
Right and left tilt	Mechanical
Control	Remote Control
Work light	4 adet
Walking speed	4 km/h
Emergency stop on the ground	Yes
Climbing ability	20°
Sideways movement	10°
Total weight	2850 kg



Mazaka Factory

📍 Mimarşinan OSB Mah. 7. Cadde No:24
Melikgazi/Kayseri/TÜRKİYE
☎ +90 352 311 44 18 📠 +90 533 204 41 70
✉ info@mazaka.eu

Mazaka USA LLC

📍 2611 Andjon Drive
Dallas, TX 75220
☎ +1 203 904 8074
✉ america@mazaka.eu

Mazaka Europe Office

📍 Industriestrasse 12-16, 42929
Wermelskirchen Germany
☎ +90 553 468 13 24
✉ europe@mazaka.eu

